

# PROFICIENCY

ULTRA HIGH EFFICIENCY TOILET



*Our patented BSB flush chamber and air transfer system delivers a very swift and quiet, yet powerful flush with just 3 litres of water.*

**N7717**

Comfort Height, ADA-Compliant  
Elongated Front, 3.0 lpf  
Single-Flush, Two-piece toilet

## Features



**Ultra High Efficiency Flush**  
Proficiency delivers a swift and powerful flush with an ultra-efficient 3 litres of water.



**Soft-close Seat**  
The toilet lid and seat close with a light touch, preventing slamming. Moulded with durable, heavy-duty break-resistant plastic.



**Large Water Surface**  
Air is transferred to the trapway during filling of the tank, exerting positive pressure on the water in the bowl and creating a larger surface.



**Compact Design**  
Install and renovate with ease. Have more room for vanities, shelving, or cabinets.



**Superior Engineered Ceramics**  
High-glazed vitreous china provides a smooth, low-friction surface.



**Stylish Flush Lever**  
Inconspicuous, top-mounted, and break-resistant. Spring-loaded and finished in polished chrome.



**BUILD GREEN**  
accrue LEED Canada credit points:



**Canadian Design - Global Impact**

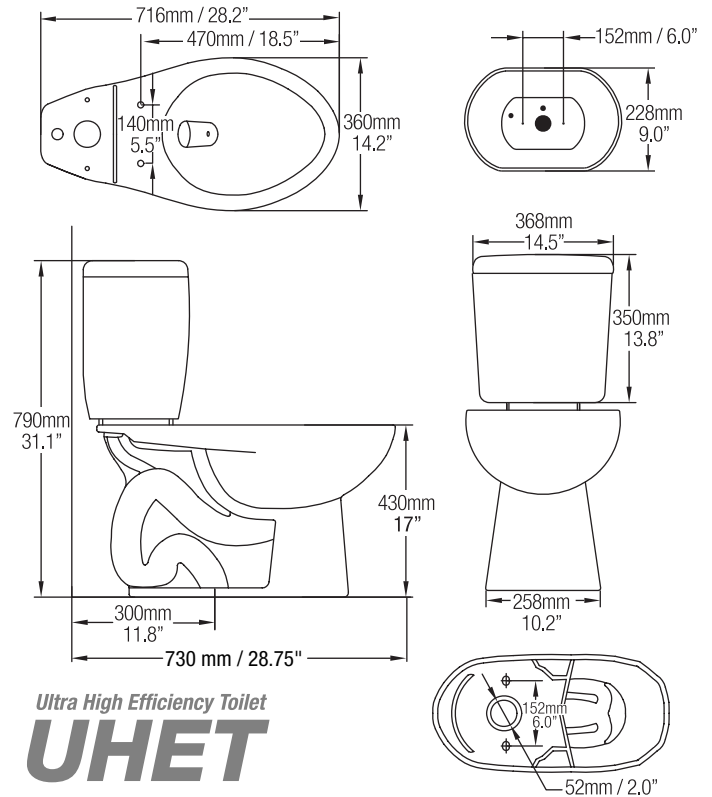
 Hennessy & Hinchcliffe

[www.HandHToilets.com](http://www.HandHToilets.com)

## PERFORMANCE

Proficiency harnesses the energy of water filling the tank to pressurize the trapway via a patented air transfer system. When flushed, air is sucked out of the trapway, initiating the highly efficient siphonic action. This new technology gives Proficiency the leading edge in water efficiency, achieving the lowest flush volume of any toilet in the industry.

## DIMENSIONS



Ultra High Efficiency Toilet  
**UHET**

## SHIPPING DIMENSIONS AND WEIGHT

### N7715 TANK

16" X 16" X 10"  
(406 mm X 406 mm X 254)  
30 lbs. (13.6 kg)

### N7717 BOWL

29" X 15" X 19"  
(737 mm X 381 mm X 483 mm)  
56 lbs. (25.4 kg)

Specifications are subject to change without notice.

## SPECIFICATIONS

|                      |                                                                                                             |
|----------------------|-------------------------------------------------------------------------------------------------------------|
| Water Usage          | 3.0 lpf / 0.80 gpf                                                                                          |
| Flush System         | Patented BSB Flushing Technology - Canadian-engineered                                                      |
| Water Pressure Range | Variable                                                                                                    |
| Water Surface Area   | 7¼" X 9¼"<br>(184 mm X 235 mm)                                                                              |
| Trap Diameter        | 2" (51 mm)                                                                                                  |
| Trap Seal            | 2-3/8" (60 mm)                                                                                              |
| Rough-In             | 12" (305 mm)                                                                                                |
| Large Footprint      | 10-1/5" X 20-3/5"<br>(260 mm X 525 mm)                                                                      |
| Material             | High glaze vitreous china                                                                                   |
| Colours              | White, Biscuit                                                                                              |
| Warranty             | Lifetime on china<br>10-year warranty on parts;<br>1-year on valves                                         |
|                      | Eligible for the highest tier of municipal toilet rebates, where available                                  |
|                      | Complies with ASME A112.19.2 and CSA B45 codes and surpasses standards for MaP and drainline carry capacity |



Distributed & Marketed by:



331 Trowers Road, Unit 3, Woodbridge, Ontario Canada L4L 6A2  
Tel: (905) 850-8080 Fax: (905) 850-9100 Toll-Free: 1-800-668-4420  
Email: sales@watermatrix.com Website: www.watermatrix.com

